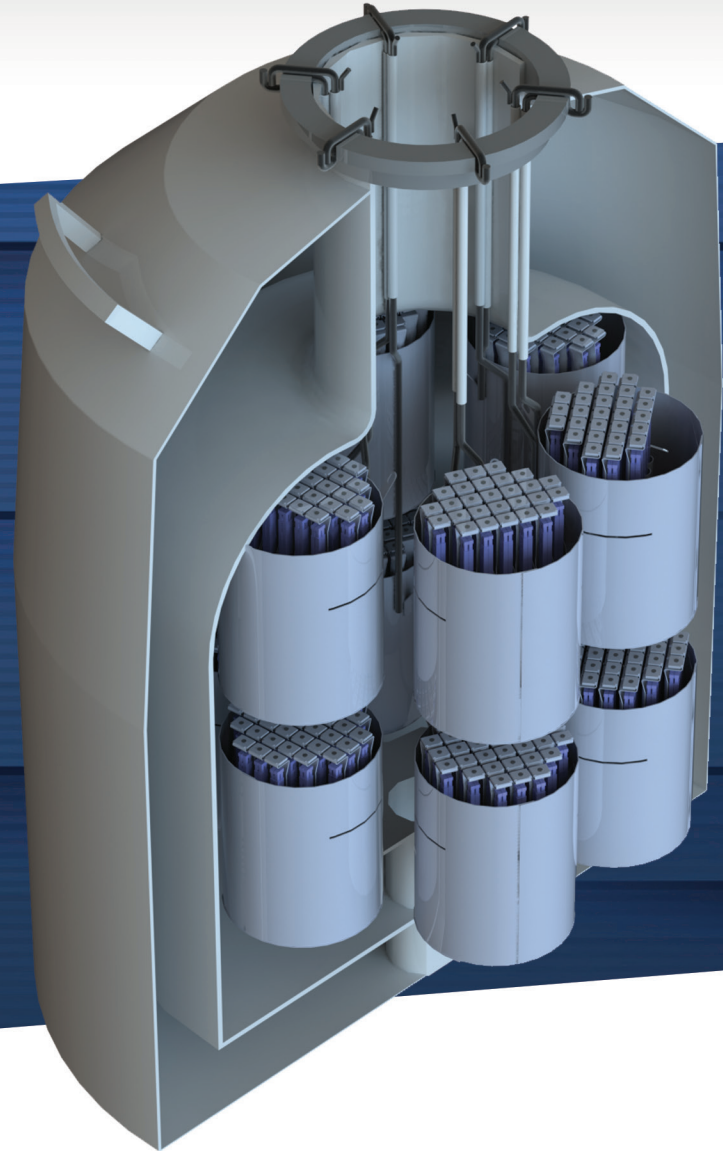


VitroStash™

**DOUBLE
YOUR IVF
DEWAR
CAPACITY**



COLDSTASH

DEVELOPED IN CONJUNCTION WITH

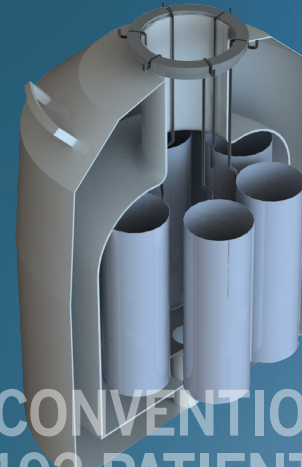


BOSTON IVF

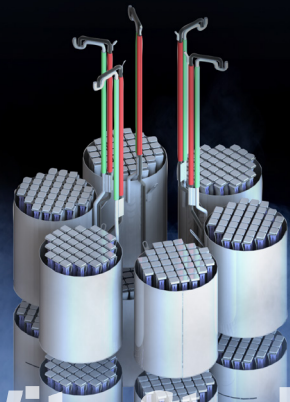
IVF labs worldwide are clamoring for more storage space and greater utilization of their dewars.

VitroStash is the economical, common sense, solution to double dewar capacities. Nothing changes in your lab except improved storage space.

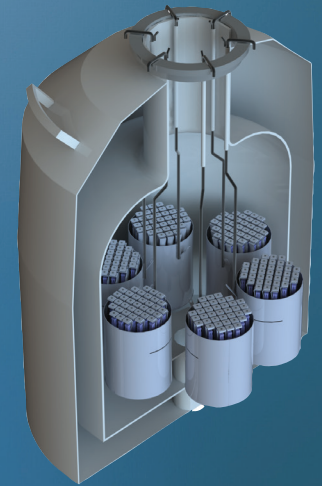
No need to purchase new dewars, alarms, additional LN₂, and more importantly, no need to find additional storage space. A complete retrofit with VitroStash is about half the cost of a new dewar. The math is simple.



CONVENTION
192 PATIENTS



VitroStash™
384 PATIENTS

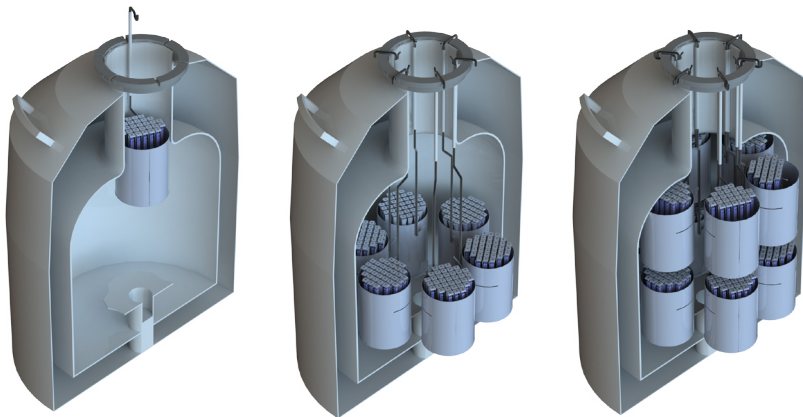


BREAKTHROUGH
CONCEPT

Double your dewar capacity.

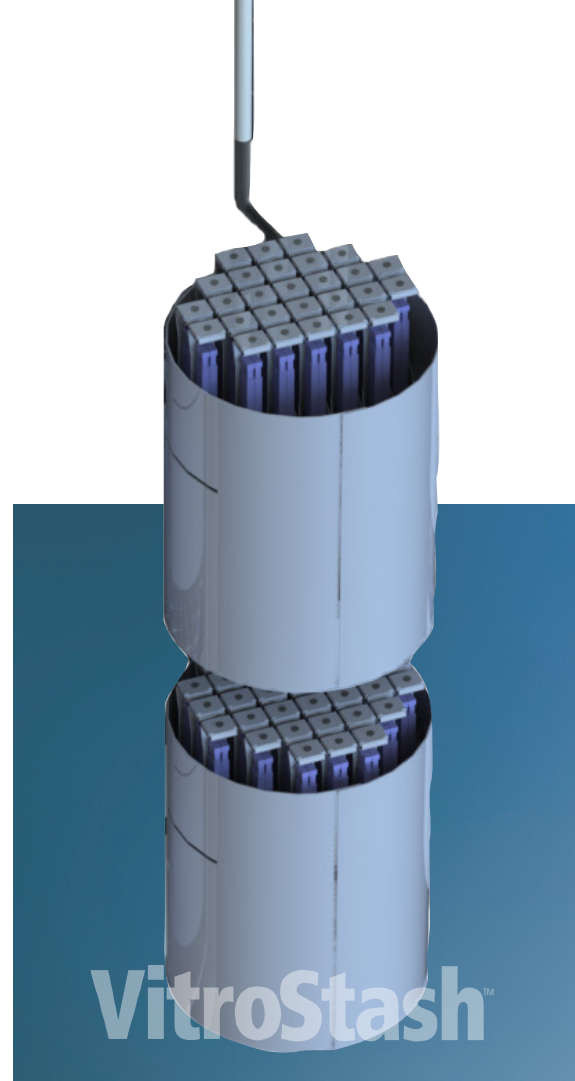
VitroStash can be used with any commonly used dewars in IVF clinics. Canister diameters 63 and 71 mm for 10 canister dewars and 92 and 102 mm for 6 canister dewars. Each configuration is engineered to fit perfectly and to virtually guarantee that your dewar capacity will double.

Start small if you'd like. Try a set to see just how you can begin to easily retrofit your storage needs.



**Unique piggy-back stacking
maximizes available dewar space.**

Patent Pending



Available in these common sizes:

- 6 = 12 Canister
 - 92mm diameter
 - 102mm diameter
- 10 = 20 Canisters
 - 63mm diameter
 - 71mm diameter



DEVELOPED IN CONJUNCTION WITH



www.coldstash.com

Reduce per patient costs.

The VitroStash solution was developed expressly for IVF clinics to help address storage challenges and reduce costs. By allowing labs to maintain their current systems and equipment, VitroStash is the easy and economical solution for:

- Eliminating additional dewars, alarms, monitors and lowers LN₂ consumption.
- Maintaining current lab protocols.
- Reducing off-site storage expenses.

VitroStash™



Conventional cost
per cane/patient stored:
\$12.90.

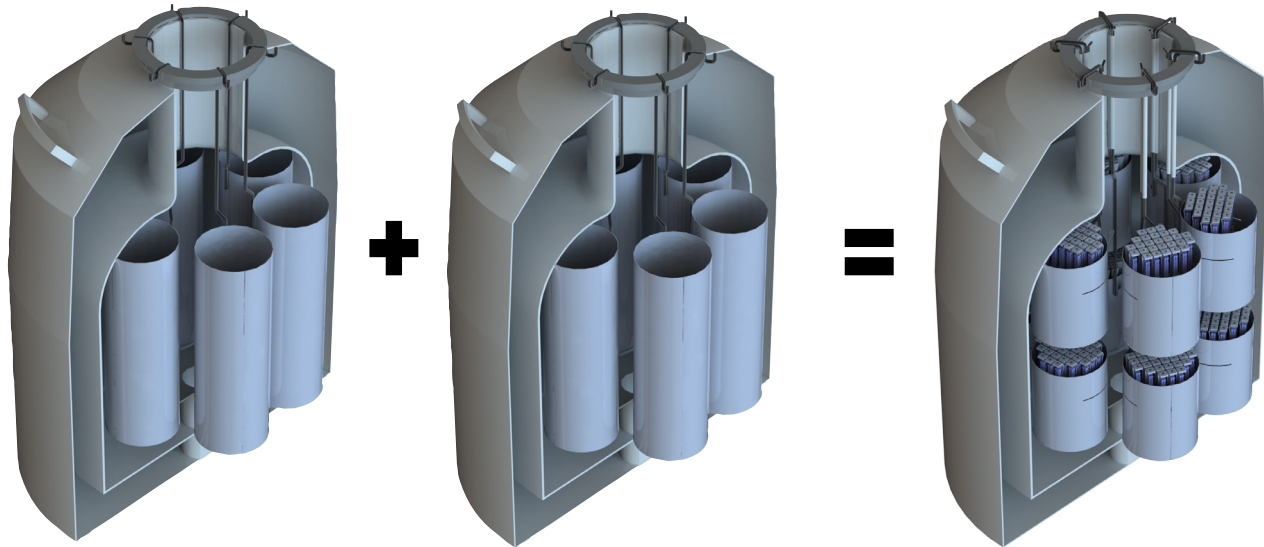
**Cost per cane/patient
stored with VitroStash:
\$7.50**





Exceptional value.

The VitroStash System allows you to do more with less. Less space. Less expense. Less hassle. It's easy to see by the comparison below how a VitroStash storage solution can be beneficial to your clinic.



To store 394 patients conventionally you would need:

2 dewars, 2 alarm monitors, 2 roller bases and 400 goblets and canes.

To store 394 patients with VitroStash you would need:

1 dewar, 6 or 10 pairs of VitroStash canisters, 1 alarm monitor, 1 roller base, 400 each goblets and canes.



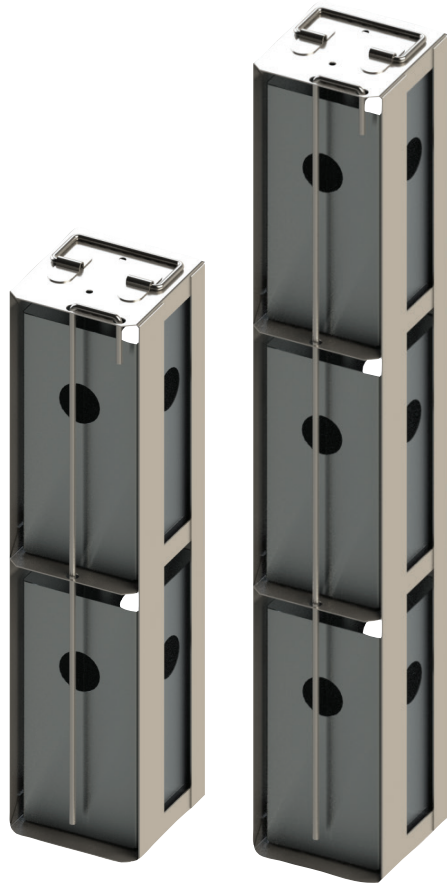
VitroStash™



Exceptional performance.

- LN₂ Lock™ drain-less canister provides a continuous liquid nitrogen level immersion for all samples during transfers.
- Higher side-vents for safer handling.
- Available in 6 pair or 10 pair configurations.
- CSD-47-127 for complete VitroStash System.
- 304 Stainless steel.

VitroStashTM_{XL}



Increase large freezer capacities.

Made exclusively for labs using conventional SUC-1 cane and canister storage., the VitroStash_{XL} allows you to significantly enhance your freezer capacities quite simply. Used by labs across many disciplines, the VitroStash_{XL} is a proven solution for lab managers seeking greater storage and cost efficiencies in large LN₂ freezers.



UP TO
80%
CAPACITY
INCREASE

VitroStash_{XL}

VitroStash[™]**MAX**

Increased capacity to solve your cryo storage problems.

- Increase your storage by up to 5X!
- Reduce per patient stored cost by 60%.
- 75% lower cost than large LN₂ freezers.
- A simple 25% increase in dewer footprint.
- Less LN₂ usage and reduced energy cost.
- Fewer alarms.





VitroStashTM MAX



**Conventional
47-11 Dewar**
with standard 11" canisters

192
Patients Stored



**Conventional
47-11 Dewar**
with VitroStash[®]

384
Patients Stored



NEW
VitroStash MAX
Dewar
960
Patients Stored



VitroStash Max vs. Large LN₂ Freezers

Model	Stored Patients	Freezer Cost	Cost/Patient
VitroStash Max	960	\$4,950	\$5.50
MVE 808	1342	\$21,700	\$16.22
MVE 816-2T-190	2530	\$25,880	\$10.23
MVE 1318	2838	\$28,109	\$9.90





Turnkey solution.

The VitroStash System allows you to build your storage solution as it suits you best. Purchase only our ground-breaking canisters for doubled storage, or you can buy a complete system. Our 35L dewar with a complete set of 12 VitroStash canisters (6 upper/6 lower or 10 upper/10 lower), goblet canes, sleeves, and tubes is only \$2,975.

It's the beginning of your new approach to IVF storage that makes sense today and well into the future.